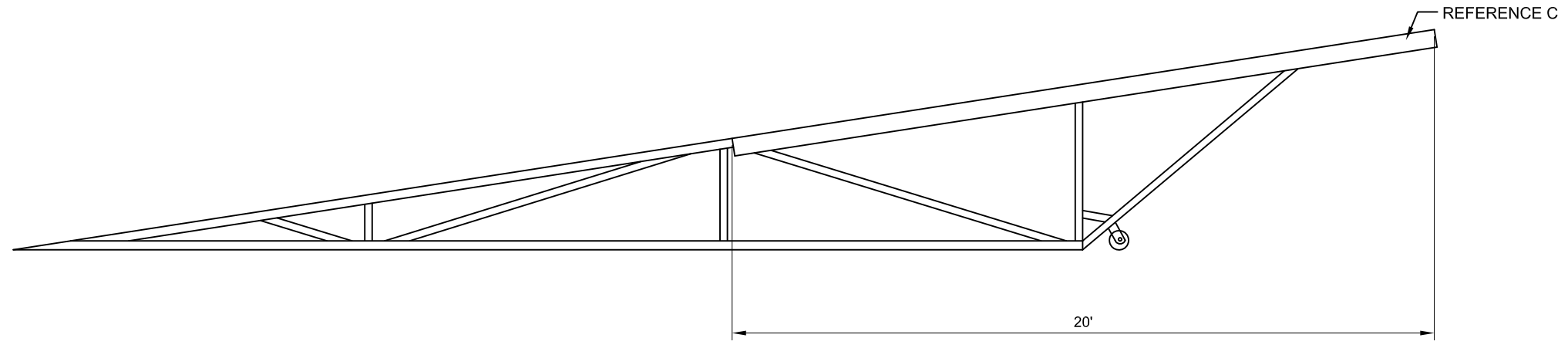
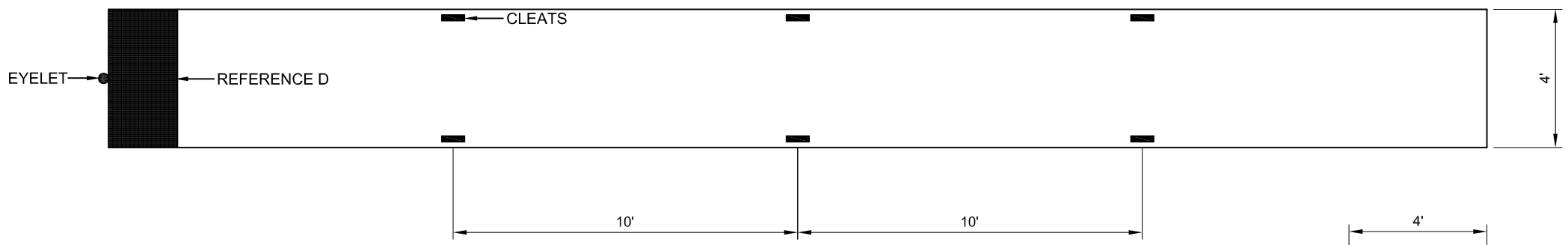


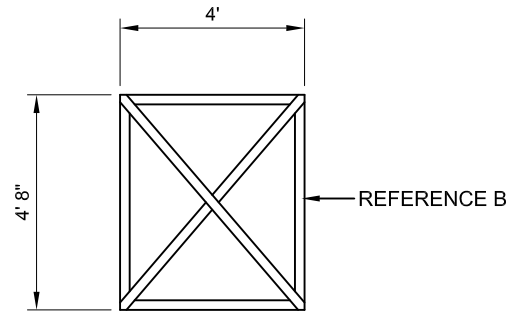
SIDE ELEVATION



SIDE ELEVATION WITH SKIRTING



TOP VIEW



FRONT VIEW BRACES

NOTES:

- A. REFERENCE A - 3" x 3" 1/4" ANGLE MAIN STRUCTURAL PIECES.
- B. REFERENCE B - 2 1/2" x 2 1/2" 3/8" ANGLE REINFORCEMENT PIECES.
- C. REFERENCE C - 6" x 20' 1/4" FLAT BAR SKIRTING AROUND TOP.
- D. REFERENCE D - 1 1/2" x 3/16" x 24" x 24' PANELS BAR GRATE DECKING.
- E. STRUCTURE MADE FROM ALUMINIUM AND WELDED.

Description		
Rev	Date	
A	01/07/08	
NEW DRAWING		
Project:		
Title:		
<p>The Information contained in this document is subject to copyright and may not be reproduced or transmitted in any form without the written consent of Kinetic Design.</p> <p>KINETIC Design CAD Services and Design www.kneticav.com</p>		
Date:	01/07/08	
Scale:	1:50 @ A3	
Drawn:	AL	Rev: A
Dwg No:		